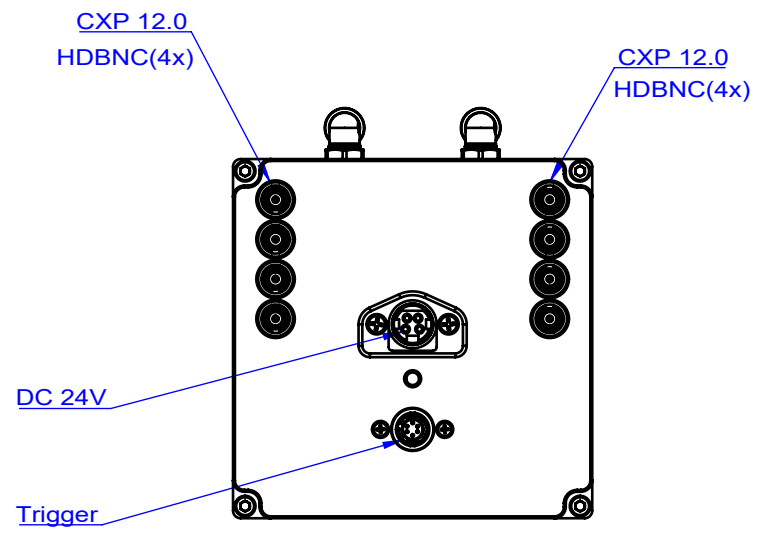
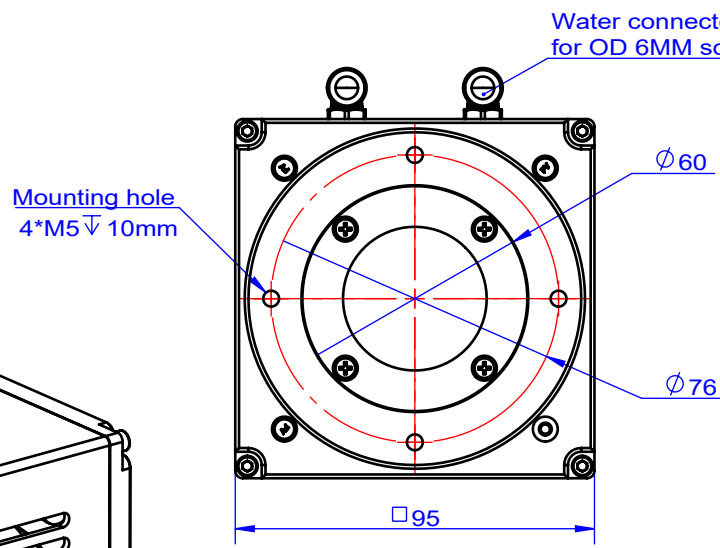
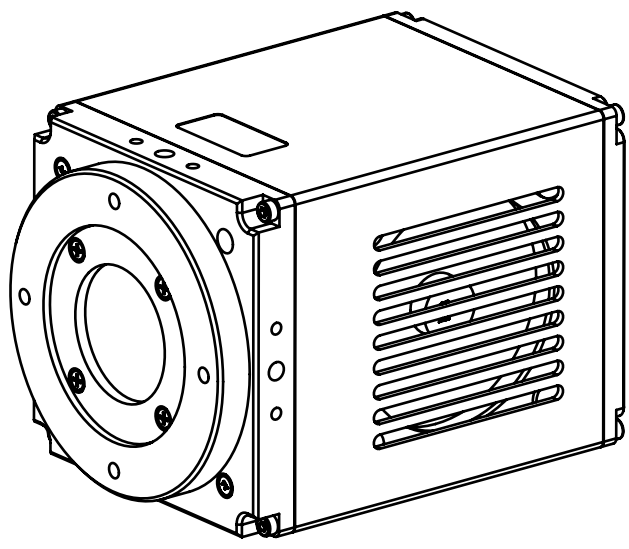
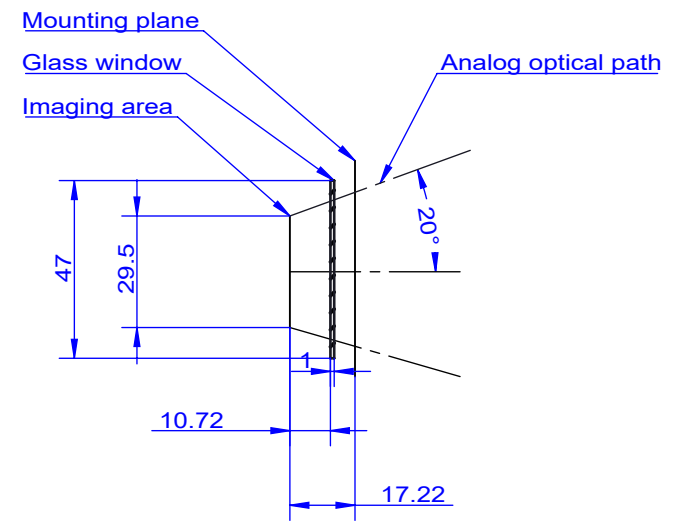
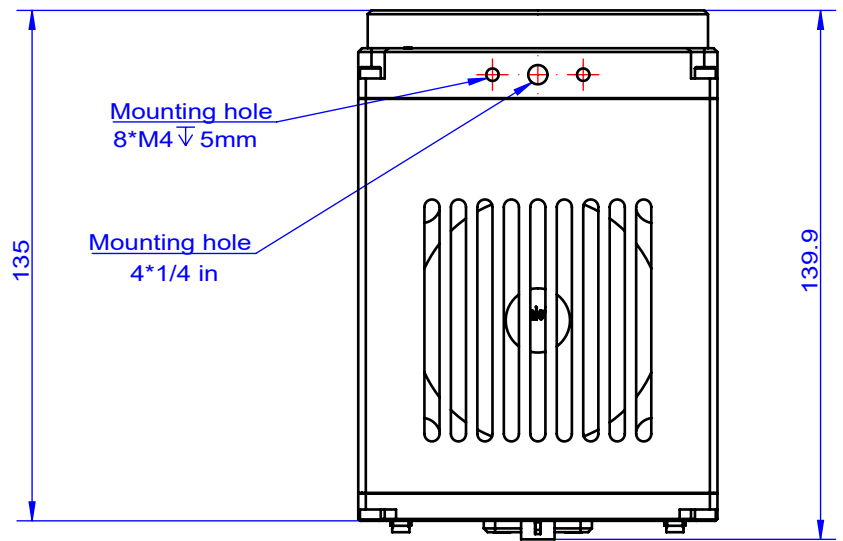


A B C D E F G H I J

1
2
3
4
5
6
7
8



						TUCSEN	
						Project	DHYANA 2100 V2.0
Ver.	Name	Date	Description		Mark	STRUC Code	CS-41
Drawn	zh	2024/11/18	View	Scale		Part name	
Check		2024/11/18		1:2		Part No.	
Process		2024/11/18	Page 1			Material	
Approve		2024/11/18	1 page in total				

A B C D E F G H I J