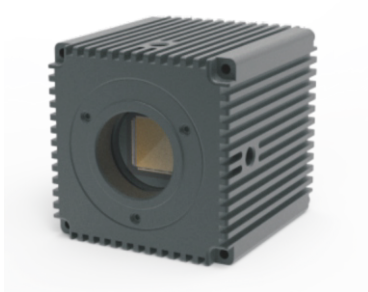


Compact FSI sCMOS Camera

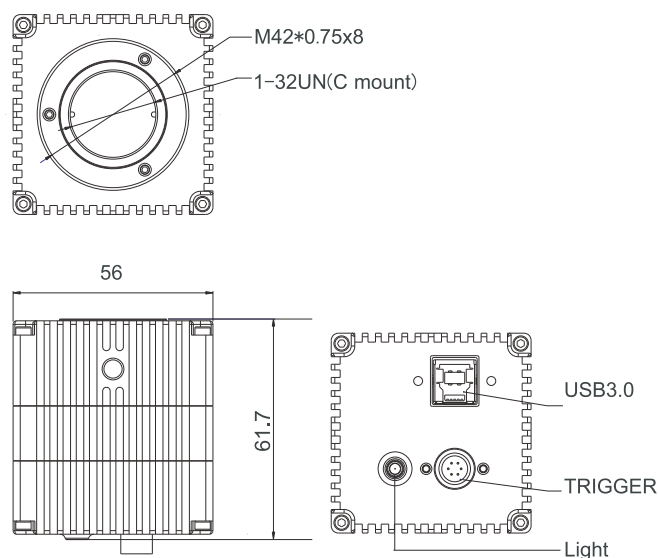
Dhyana 401D



Product Advantages

- 1.2" area
- 72% peak QE
- 6.5 μ m x 6.5 μ m pixel size
- 45ke- full well capacity
- 40fps@full resolution
- USB3.0 interface

Product structure (unit: mm)



Specifications

Model	Dhyana 401D
Sensor model	FSI sCMOS
Shutter type	Rolling
Color/Mono	Mono
Effective area	13.3mm x 13.3mm
Resolution	2048(H) x 2048(V)
Pixel size	6.5 μ m x 6.5 μ m
QE	72%595nm
Full-Well capacity	43ke-
Frame rate	40fps(16bit), 45fps(8bit)
Readout noise	Typ.: 2.1e-(Median)
Exposure time	10 μ s-10s
Binning	2x2, 4x4
ROI	Support
Trigger Mode	Hardware & Software
Output Trigger Signals	Exposure Start, Readout End, Trigger Ready
Trigger Interface	HIROSE
Data Interface	USB3.0
Data Bit Depth	16bit & 8bit
Optical Interface	M42
Power Supply	USB3.0
Power Consumption	< 4W
Dimensions	56 mm x 56 mm x 61.7 mm
Weight	305g
Software	Mosaic, LabVIEW, MATLAB, Micro-Manager 2.0, SamplePro
SDK	C, C++, C#, Python
Operating System	Windows/Linux
Operating Environment	Temperature 0~40°C / Humidity 10~85%